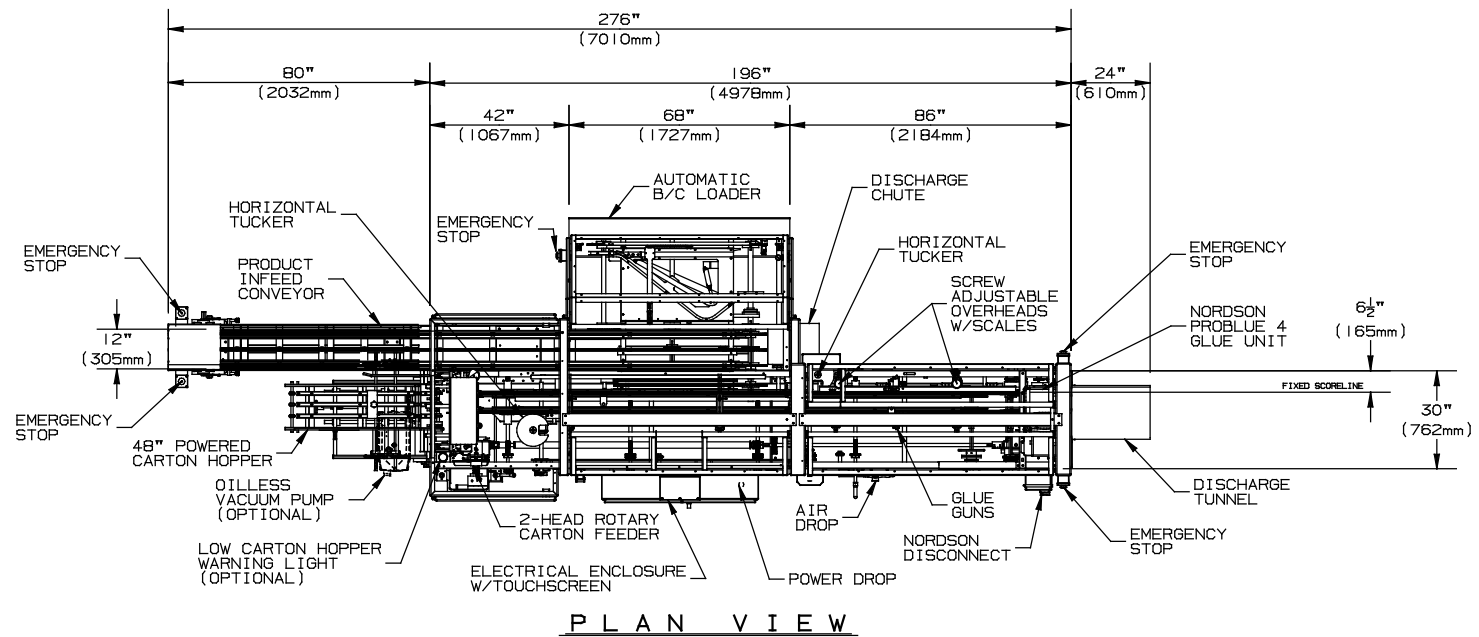


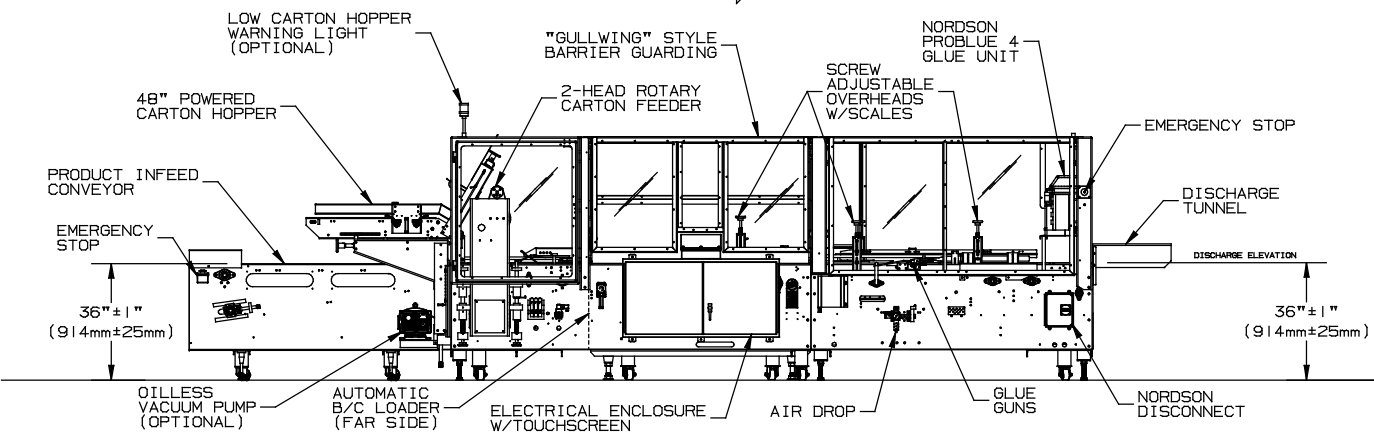
LEFT HAND LOAD CONSTRUCTION

THE DIMENSIONS ON THIS FLOOR PLAN DRAWING ARE FOR GENERAL LAYOUT PURPOSES ONLY. PRECISE DIMENSIONAL DETAILS FROM DESIGN DRAWINGS CAN BE SUPPLIED UPON REQUEST.

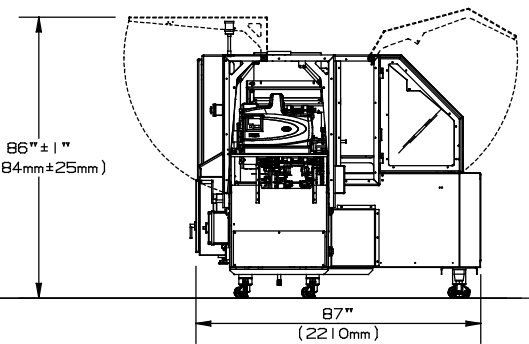
DRAWING NUMBER: STANDARD



PLAN VIEW



SIDE ELEVATION



END ELEVATION

CONTINUOUS MOTION

APPROVED

BY: _____
 DATE: _____
 TITLE: _____
 NOTE: MANUFACTURING OF THIS EQUIPMENT WILL NOT BEGIN UNTIL RECEIPT OF THIS APPROVED PRINT.

SALES DEPT.
 BY: _____
 DATE: _____
 ENGINEER DEPT.
 BY: _____
 DATE: _____

ADCO ENGINEERING DATA: DIMENSIONS ARE APPROXIMATE
 QUOTE: XXXXX-XXX-X MAX CPM: XX
 DESCRIPTION OF PRODUCT: TO BE DETERMINED
 CARTON SIZE(S): A) TO BE DETERMINED
 B)
 C)
 VOLTAGE: 230v/3ph/60hz AMPERAGE(EST.): TBD
 AIR REQUIREMENT: 10 CFM @ 65-70 PSI
 WATER REQUIREMENT: NONE

DRAWN BY: JKY
 DATE: 12/05/11
 SCALE: NONE
 STAINLESS STEEL FRAME



FLOOR PLAN - 15DBC105-SS

STANDARD