

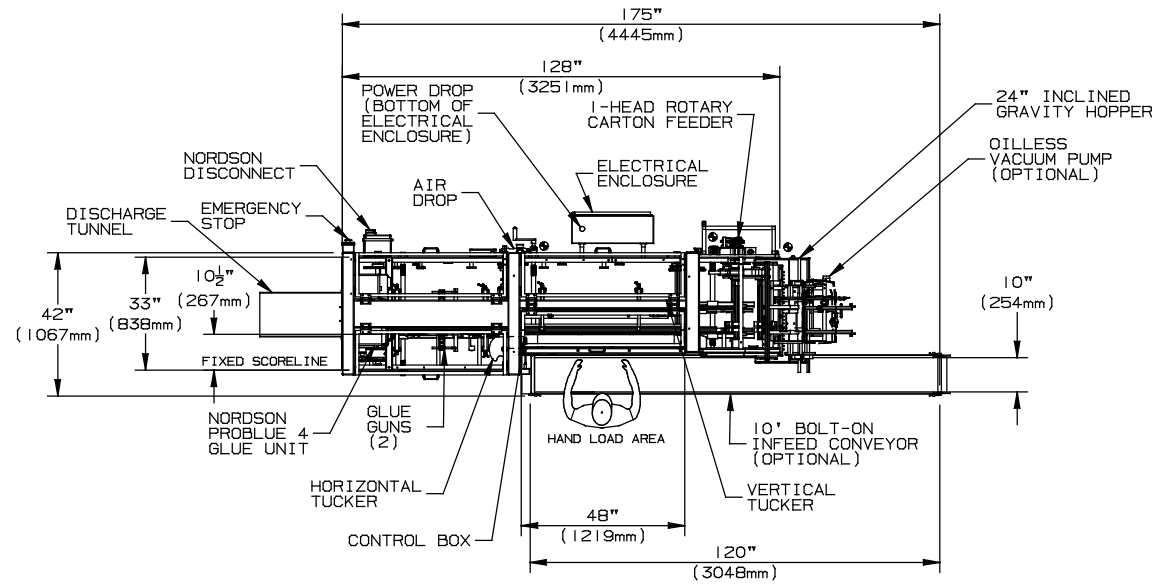
LEFT HAND LOAD CONSTRUCTION SHOWN

"THE DIMENSIONS ON THIS FLOOR PLAN DRAWING ARE FOR GENERAL LAYOUT PURPOSES ONLY. PRECISE DIMENSIONAL DETAILS FROM DESIGN DRAWINGS CAN BE SUPPLIED UPON REQUEST."

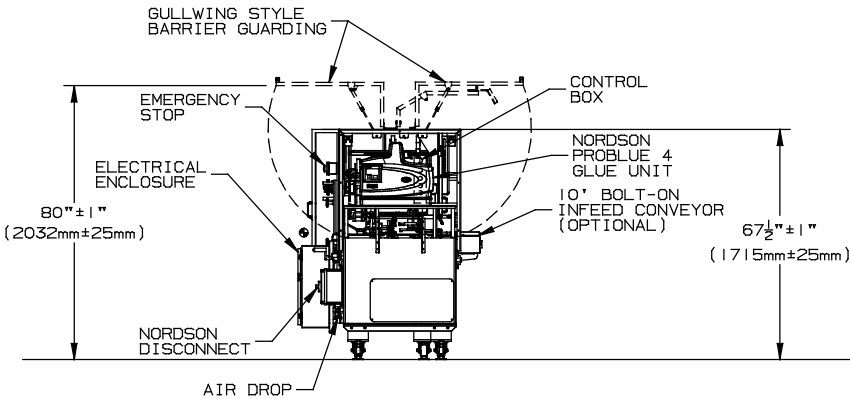
DRAWING NUMBER: STANDARD

NOTE:
 ● DESIGNATES LOCATION OF DIGITAL READOUT (OPTIONAL)

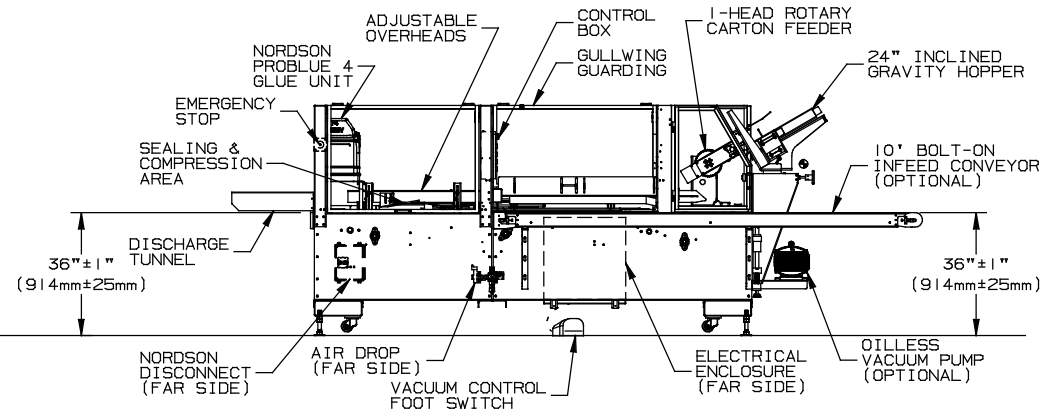
METRIC CONSTRUCTION



PLAN VIEW



END VIEW



SIDE ELEVATION

APPROVED

BY: _____
 DATE: _____
 TITLE: _____

NOTE: MANUFACTURING OF THIS EQUIPMENT WILL NOT BEGIN UNTIL RECEIPT OF THIS APPROVED PRINT.

SALES DEPT.
 BY: _____
 DATE: _____
 ENGINEER DEPT.
 BY: _____
 DATE: _____

ADCO ENGINEERING DATA: DIMENSIONS ARE APPROXIMATE
 QUOTE: XXXX-XXX-X MAX CPM: XX
 DESCRIPTION OF PRODUCT: TO BE DETERMINED
 CARTON SIZE(S): A) TO BE DETERMINED
 B)
 C)
 VOLTAGE: 230v/3ph/60hz AMPERAGE(EST.): TBD
 AIR REQUIREMENT: 10 CFM @ 65-70 PSI
 WATER REQUIREMENT: NONE

DRAWN BY: JKY
 DATE: 12/05/11
 SCALE: NONE
 STAINLESS STEEL FRAME



FLOOR PLAN - 15DZ-60-SS

STANDARD