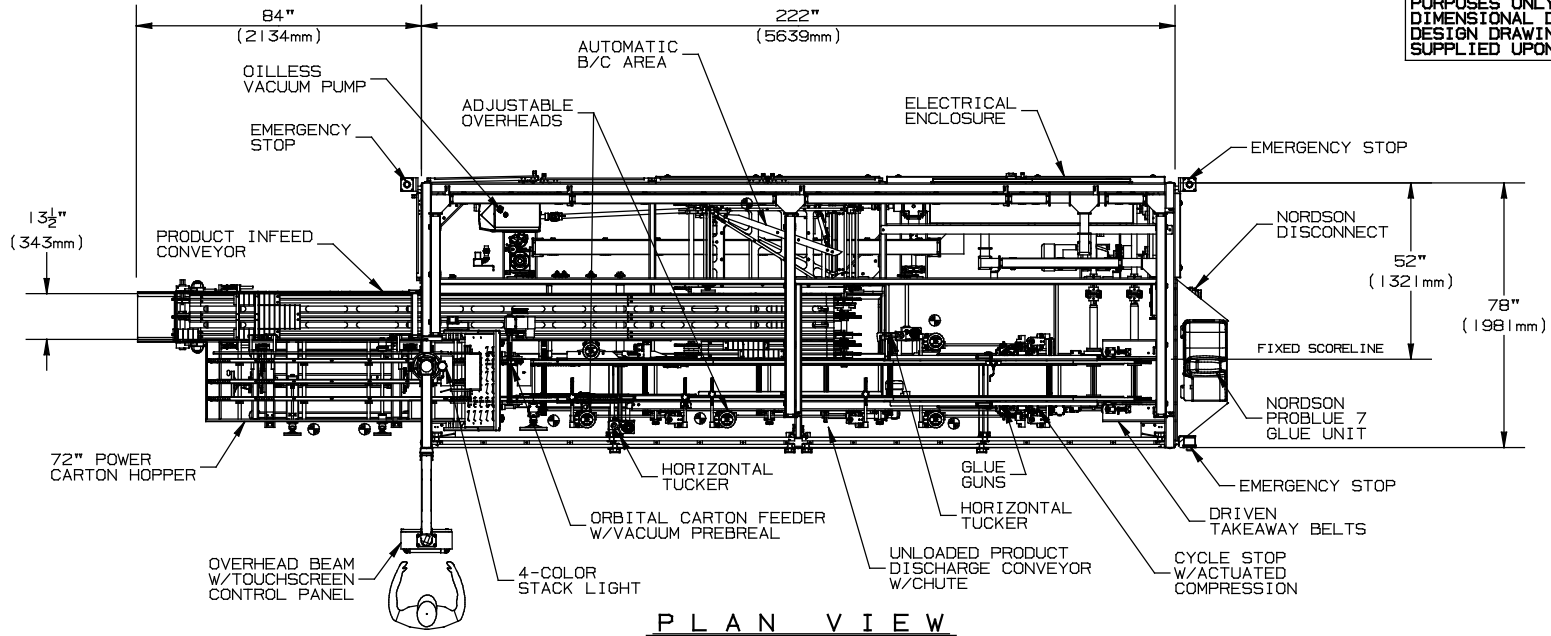


LEFT HAND LOAD CONSTRUCTION SHOWN

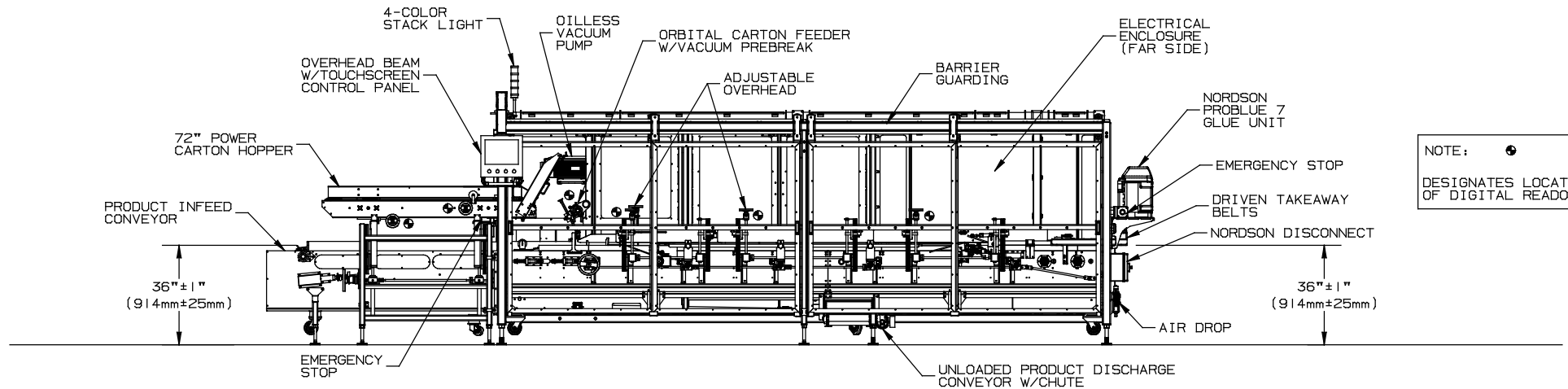
"THE DIMENSIONS ON THIS FLOOR PLAN DRAWING ARE FOR GENERAL LAYOUT PURPOSES ONLY. PRECISE DIMENSIONAL DETAILS FROM DESIGN DRAWINGS CAN BE SUPPLIED UPON REQUEST."

DRAWING NUMBER: STANDARD



CONTINUOUS MOTION

METRIC CONSTRUCTION



NOTE: DESIGNATES LOCATION OF DIGITAL READOUT

SIDE ELEVATION

APPROVED

BY: \_\_\_\_\_  
DATE: \_\_\_\_\_  
TITLE: \_\_\_\_\_

NOTE: MANUFACTURING OF THIS EQUIPMENT WILL NOT BEGIN UNTIL RECEIPT OF THIS APPROVED PRINT.

SALES DEPT.  
BY: \_\_\_\_\_  
DATE: \_\_\_\_\_  
ENGINEER DEPT.  
BY: \_\_\_\_\_  
DATE: \_\_\_\_\_

ADCO ENGINEERING DATA: DIMENSIONS ARE APPROXIMATE  
QUOTE: XXXX-XXX-X MAX CPM: XX  
DESCRIPTION OF PRODUCT: TO BE DETERMINED  
CARTON SIZE(S): A) TO BE DETERMINED  
B)  
C)  
VOLTAGE: 230v/3ph/60hz AMPERAGE (EST.): TBD  
AIR REQUIREMENT: 10 CFM @ 65-70 PSI  
WATER REQUIREMENT: NONE

DRAWN BY: JKY  
DATE: 12/05/11  
SCALE: NONE  
STAINLESS STEEL FRAME

2170 ACADEMY AVE  
SANGER, CA 93657  
INFO@ADCOENFG.COM  
909.608.5946

FLOOR PLAN - BBC

STANDARD