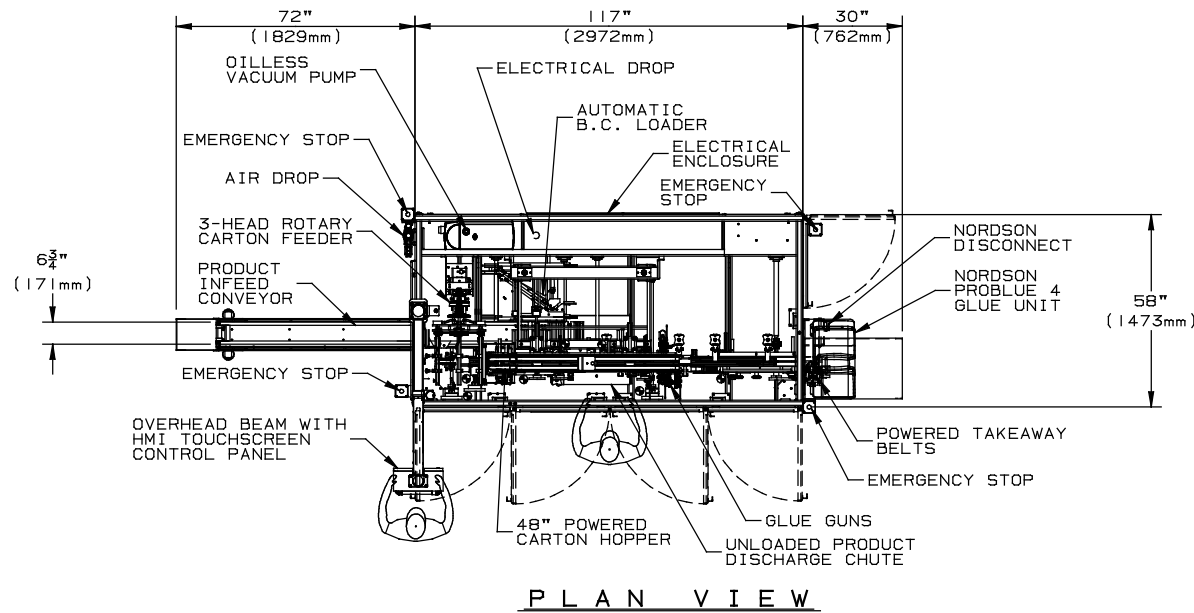


"THE DIMENSIONS ON THIS FLOOR PLAN DRAWING ARE FOR GENERAL LAYOUT PURPOSES ONLY. PRECISE DIMENSIONAL DETAILS FROM DESIGN DRAWINGS CAN BE SUPPLIED UPON REQUEST."



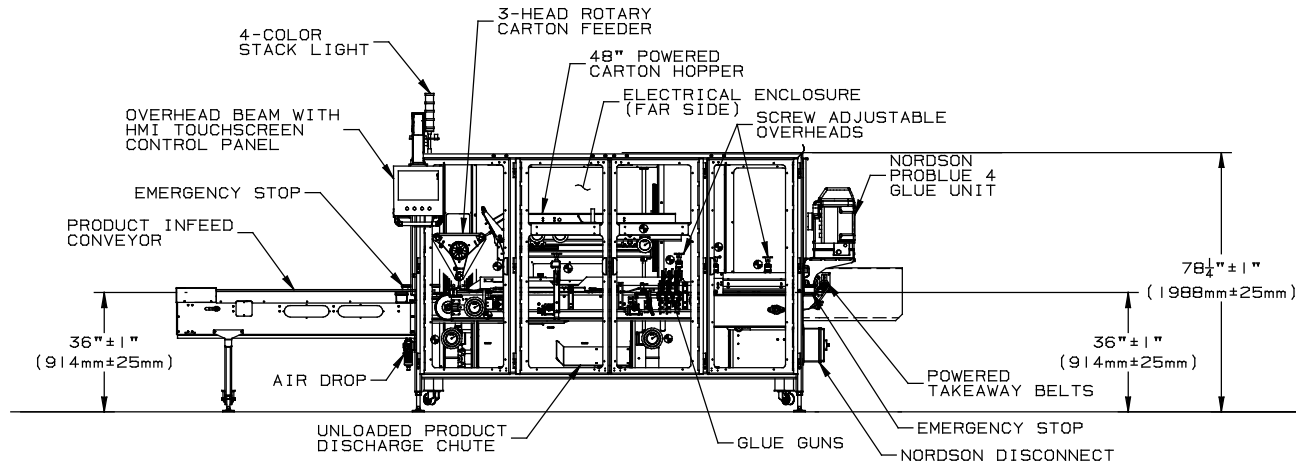
PLAN VIEW

LEFT HAND LOAD CONSTRUCTION SHOWN

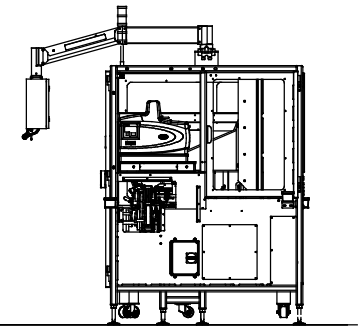
CONTINUOUS MOTION

METRIC CONSTRUCTION

NOTE:  
● DESIGNATES LOCATION OF DIGITAL READOUT



SIDE ELEVATION



END ELEV.

APPROVED

BY: \_\_\_\_\_  
DATE: \_\_\_\_\_  
TITLE: \_\_\_\_\_  
NOTE: MANUFACTURING OF THIS EQUIPMENT WILL NOT BEGIN UNTIL RECEIPT OF THIS APPROVED PRINT.

SALES DEPT.

BY: \_\_\_\_\_

DATE: \_\_\_\_\_

ENGINEER DEPT.

BY: \_\_\_\_\_

DATE: \_\_\_\_\_

ADCO ENGINEERING DATA: DIMENSIONS ARE APPROXIMATE

QUOTE: XXXXX-XXX-X MAX CPM: XX

DESCRIPTION OF PRODUCT: TO BE DETERMINED

CARTON SIZE(S): A) TO BE DETERMINED

B) \_\_\_\_\_

C) \_\_\_\_\_

VOLTAGE: 230V/3ph/60hz AMPERAGE(EST.): TBD

AIR REQUIREMENT: 10 CFM @ 65-70 PSI

WATER REQUIREMENT: NONE

DRAWN BY: JKY

DATE: 12/05/11

SCALE: NONE

STAINLESS STEEL FRAME

ADCO 2170 ACADEMY AVE  
SANGER, CA 93657  
INFO@ADCOENG.COM  
888.608.5946

FLOOR PLAN - MBC-SS

STANDARD